

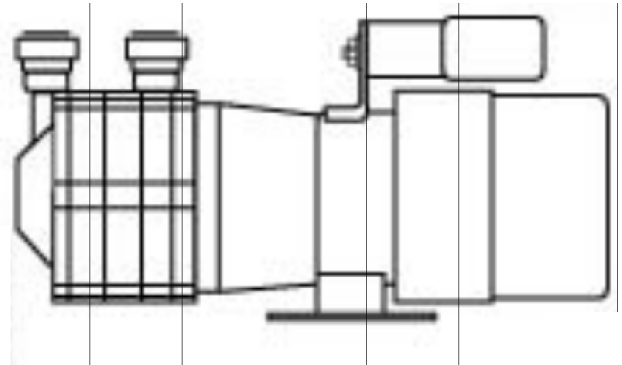
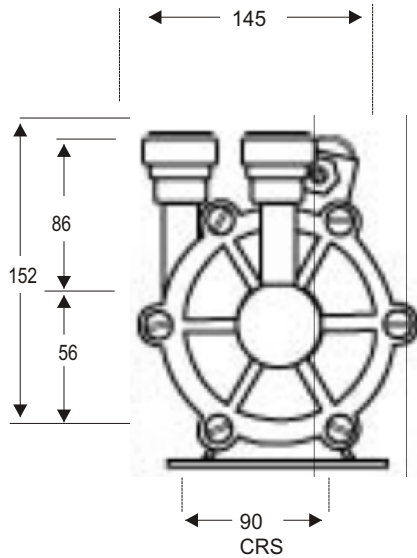


TE-5iP-MD

DIMENSIONAL SCHEMATIC, PERFORMANCE AND PARTS LIST

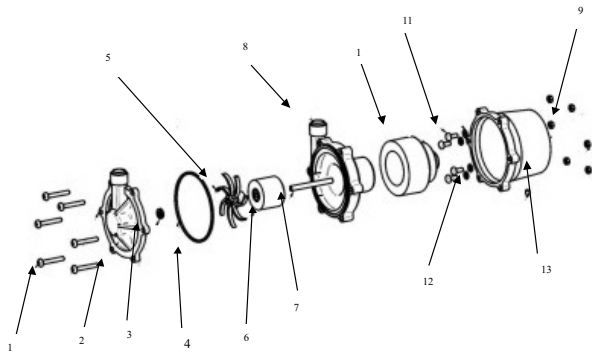
DIMENSIONS mm

not to scale
specifications are subject to change

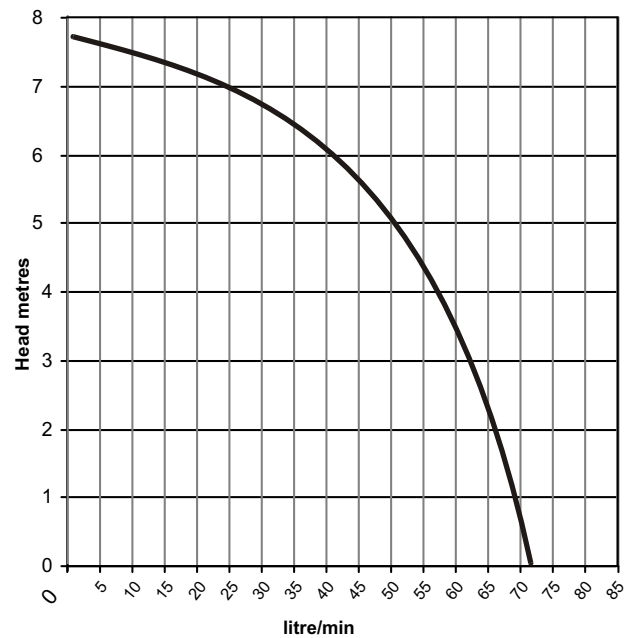


Details may change depending upon the motor specified

PARTS LIST



PERFORMANCE



Tests obtained with water 1.0 SG

— 50 hz 2900 rpm