



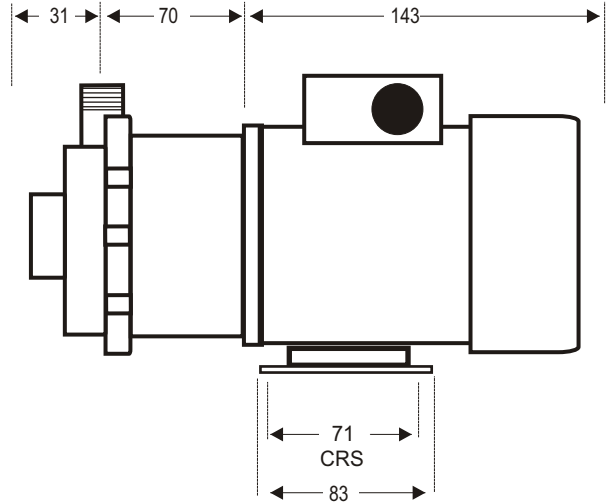
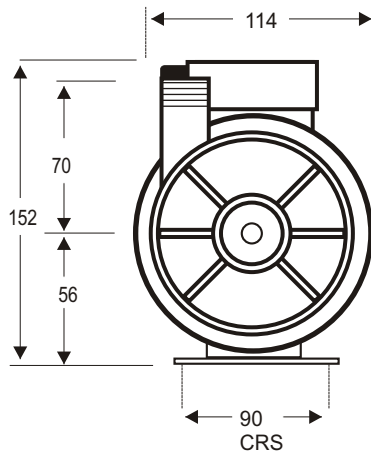
TE-3K-MD

DIMENSIONAL SCHEMATIC, PERFORMANCE AND PARTS LIST

DIMENSIONS mm

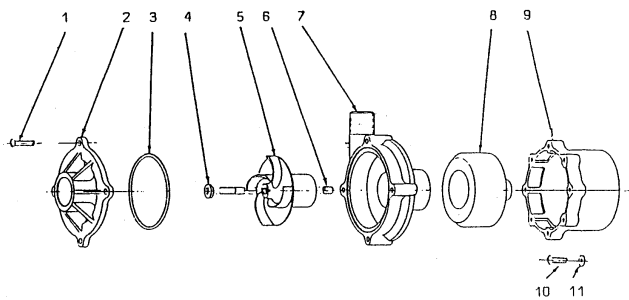
not to scale
specifications are subject to change

Inlet: 1" BSP.F
Outlet: 1/2" BSP.M



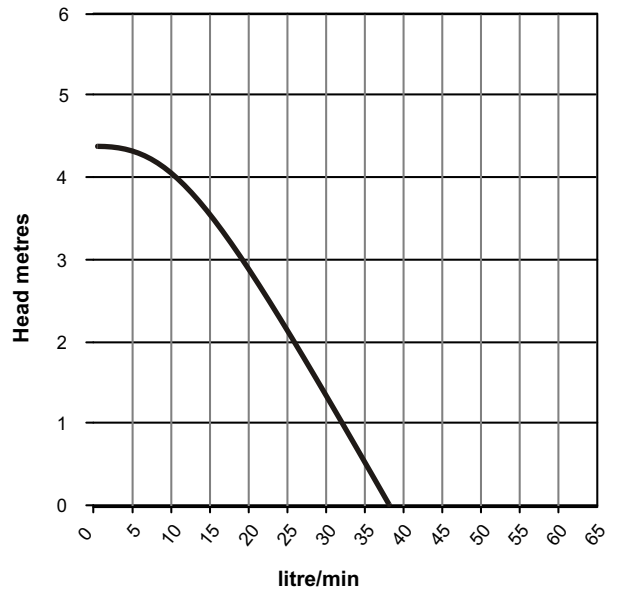
Details may change depending upon the motor specified

PARTS LIST



ITEM	DESCRIPTION	NOS	CODE
1	HOUSING SCREW ST/STEEL	4	5090-910-50
2	PUMP COVER KYNAR	1	0130-111-10
3	'O' RING VITON	1	0130-033-UK
4	THRUST WASHER CERAMIC	1	0130-028-UK
5	ENCAPSULATED IMPELLER ASSY	1	0130-112-02
6	SPINDLE CERAMIC	1	0130-024-UK
7	PUMP HOUSING KYNAR	1	0130-110-10
8	DRIVE MAGNET ASSY (9mm)	1	0750-254-00
9	MOTOR BRACKET	1	0001-030-UK
10	BRACKET FIXING SCREWS	4	0130-100-UK
11	BRACKET FIXING WASHERS	4	0135-200-UK
12	WET END ASSY ITEMS 1-7		0030-333-01
13	PUMP HEAD ASSY ITEMS 1-11		P030-333-012

PERFORMANCE



Tests obtained with water 1.0 SG

— 50 hz 2900 rpm