

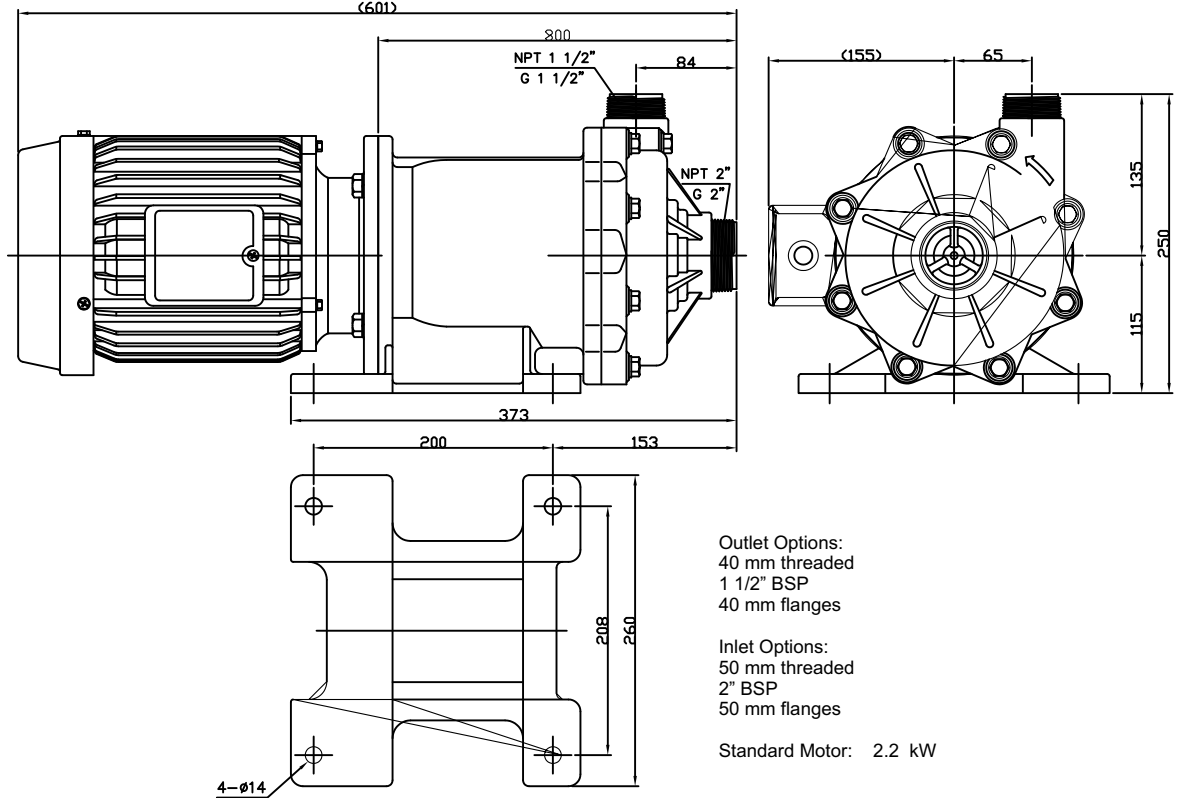


PW-9P-MD 1.3 SG

DIMENSIONAL SCHEMATIC AND PERFORMANCE

DIMENSIONS mm

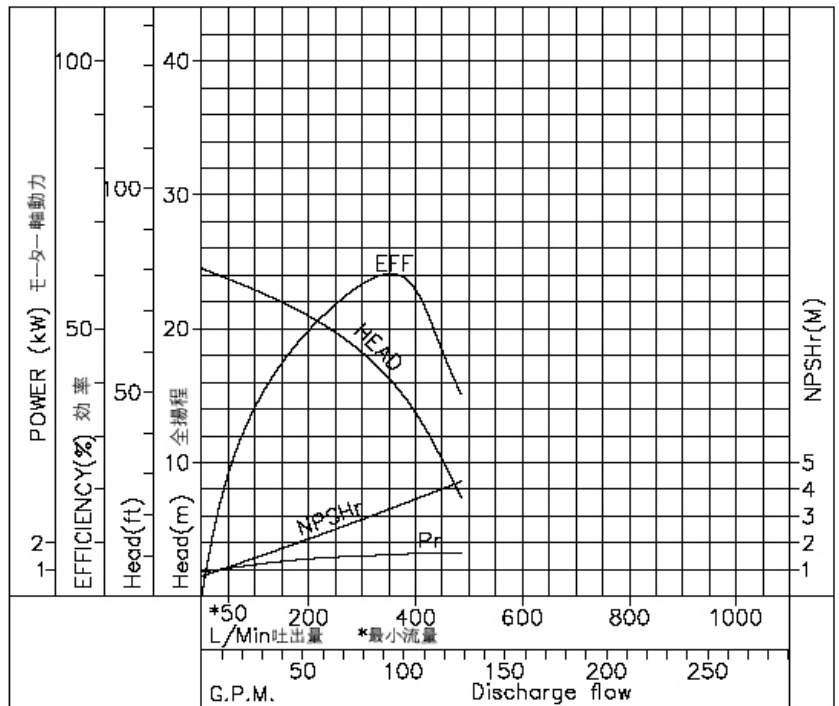
not to scale
specifications are subject to change



Details may change depending upon the motor specified

PERFORMANCE

Tests obtained
50 hz 2860 rpm
1.2 SG
139.5 mm impeller



Performance may change depending upon the motor specified