

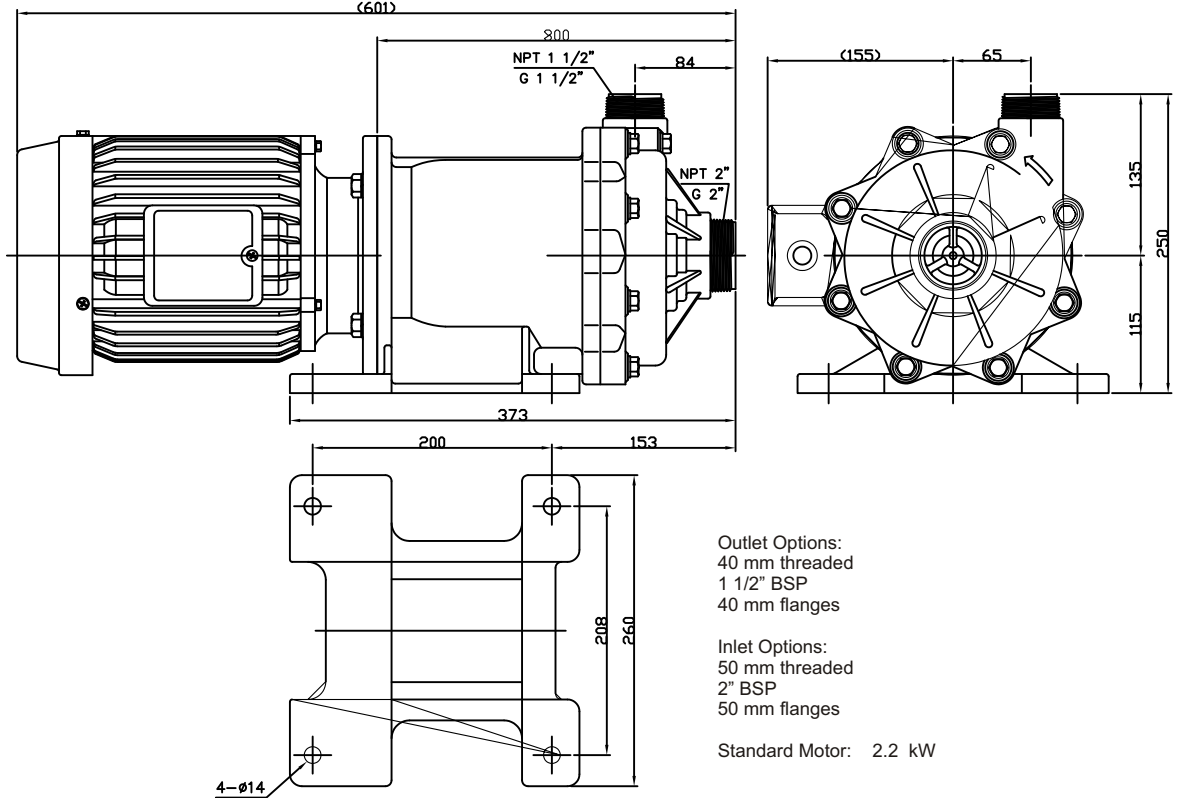


PW-9P-MD

DIMENSIONAL SCHEMATIC AND PERFORMANCE

DIMENSIONS mm

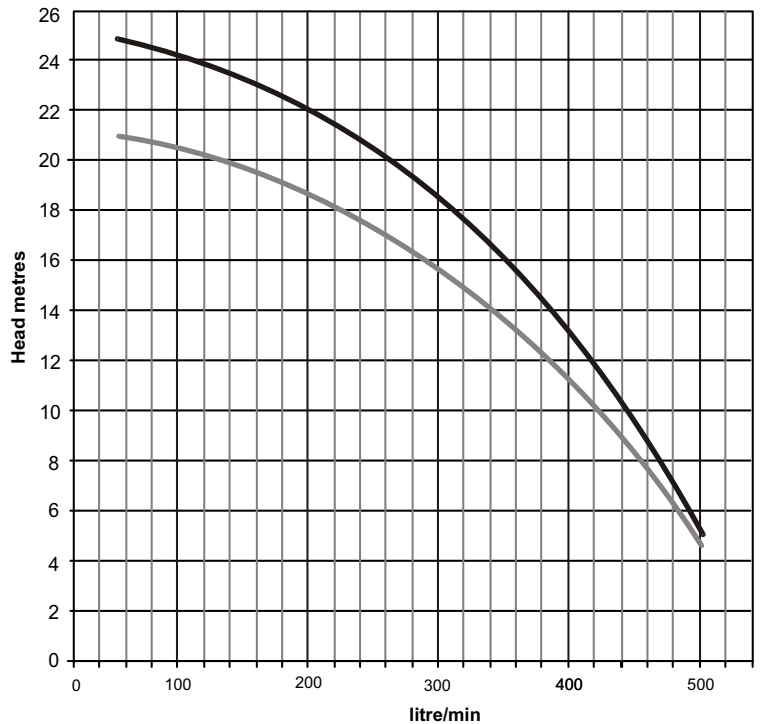
not to scale
specifications are subject to change



Details may change depending upon the motor specified

PERFORMANCE

Tests obtained
50 hz 2860 rpm
— 1.2 SG
— 1.5 SG



Performance may change depending upon the motor specified