

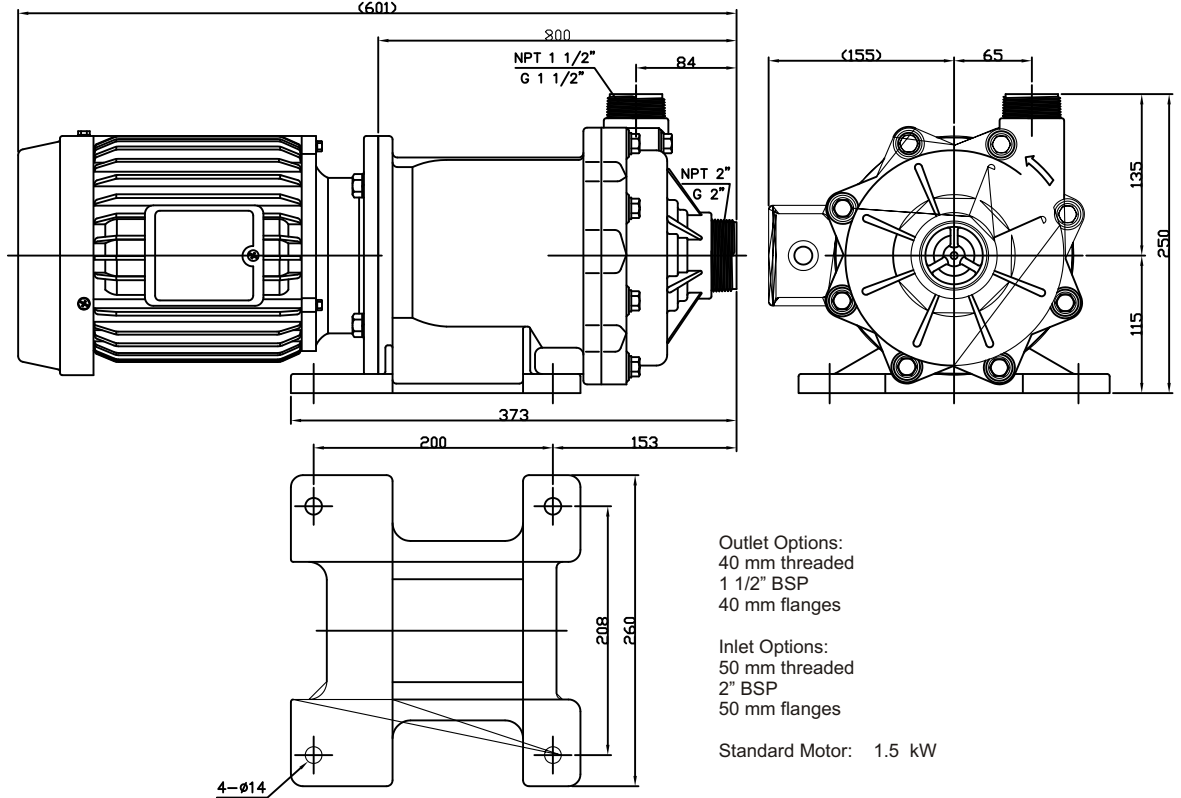


PW-8P-MD

DIMENSIONAL SCHEMATIC AND PERFORMANCE

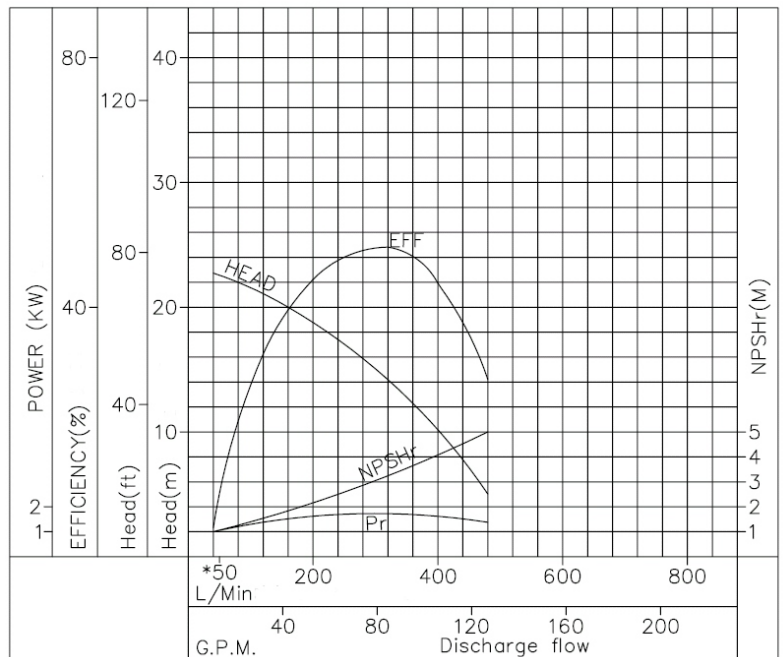
DIMENSIONS mm

not to scale
specifications are subject to change



PERFORMANCE

Tests obtained
50 hz 2860 rpm
1.1 SG



Performance may change depending upon the motor specified