

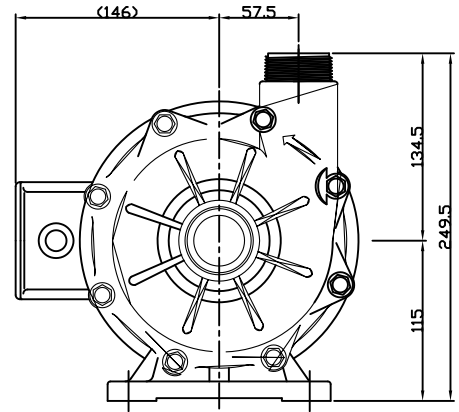
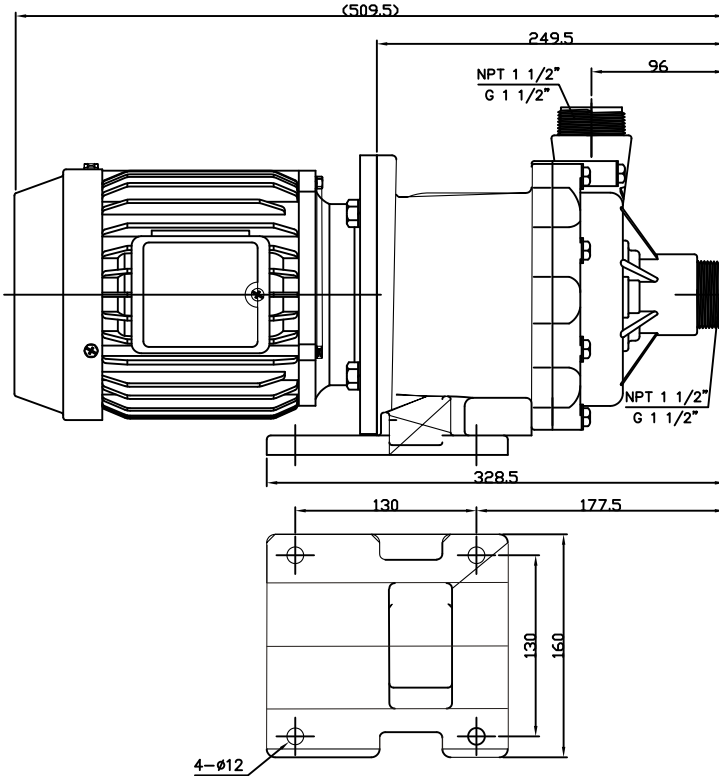


PW-7.5P-MD

DIMENSIONAL SCHEMATIC AND PERFORMANCE

DIMENSIONS mm

not to scale
specifications are subject to change



Outlet Options:
40 mm threaded
1 1/2" BSP
40 mm flanges

Inlet Options:
40 mm threaded
1 1/2" BSP
40 mm flanges

Standard Motor: 0.75 kW

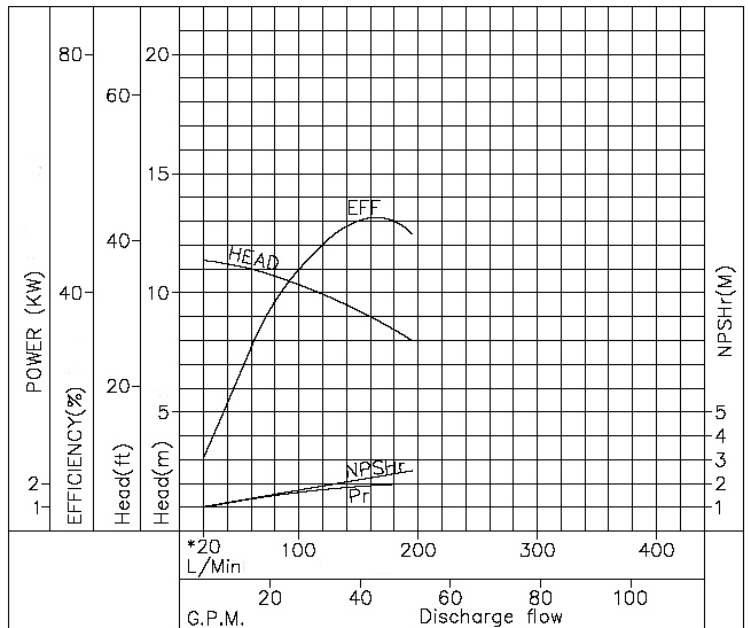
Details may change depending upon the motor specified

PERFORMANCE

Tests obtained

50 hz 2860 rpm
1.5 SG

103 mm dia impeller



Performance may change depending upon the motor specified