

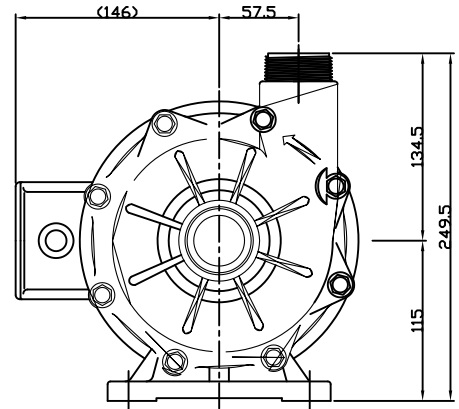
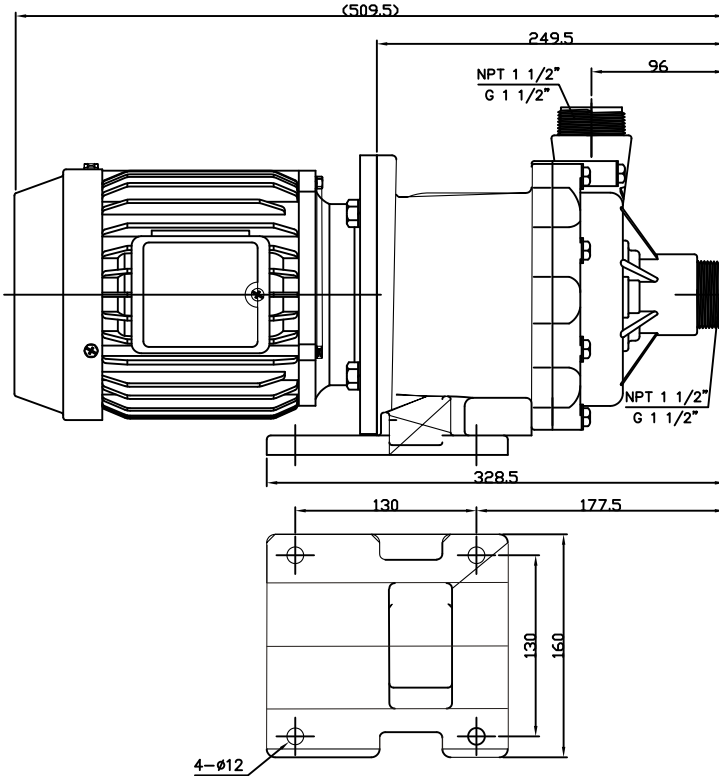


# PW-7.5P-MD

## DIMENSIONAL SCHEMATIC AND PERFORMANCE

### DIMENSIONS mm

not to scale  
specifications are subject to change



Outlet Options:  
40 mm threaded  
1 1/2" BSP  
40 mm flanges

Inlet Options:  
40 mm threaded  
1 1/2" BSP  
40 mm flanges

Standard Motor: 0.75 kW

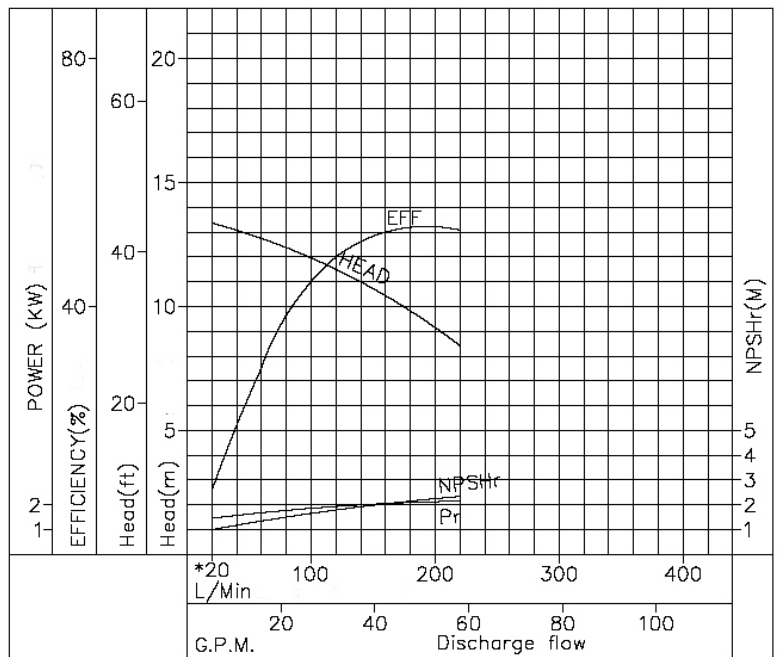
Details may change depending upon the motor specified

### PERFORMANCE

**Tests obtained**

50 hz 2860 rpm  
1.3 SG

110 mm dia impeller



Performance may change depending upon the motor specified