

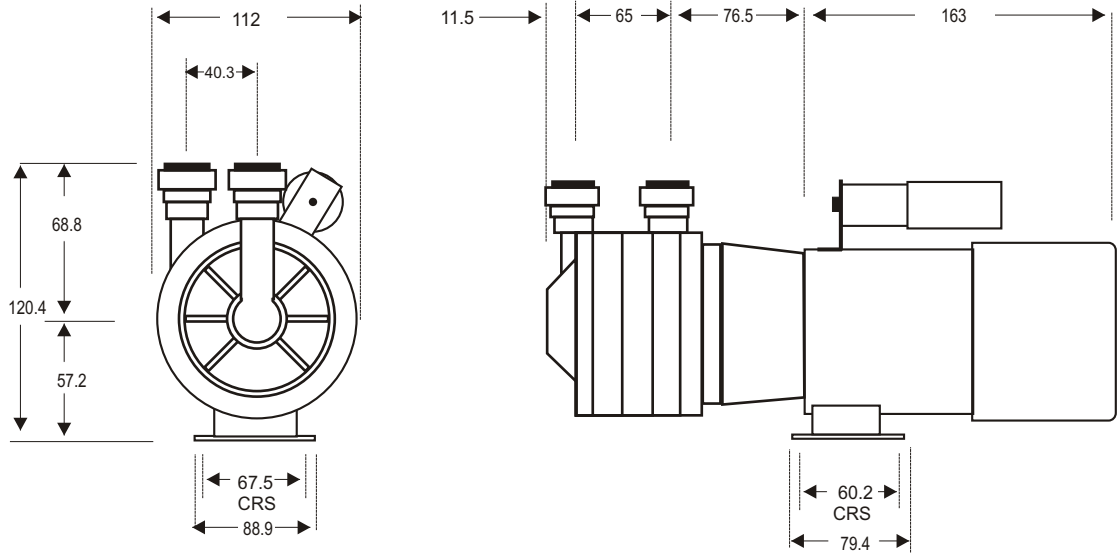


MSP-4

DIMENSIONAL SCHEMATIC, PERFORMANCE AND PARTS LIST

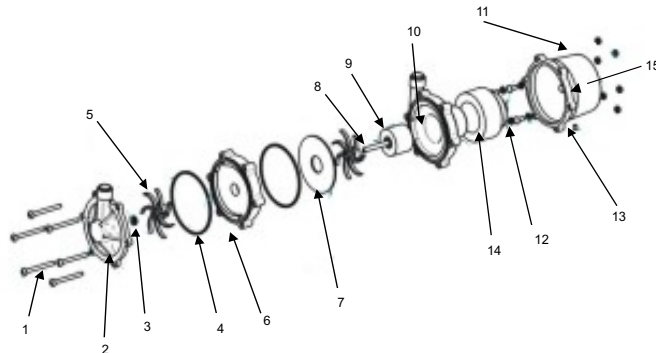
DIMENSIONS mm

not to scale
specifications are subject to change



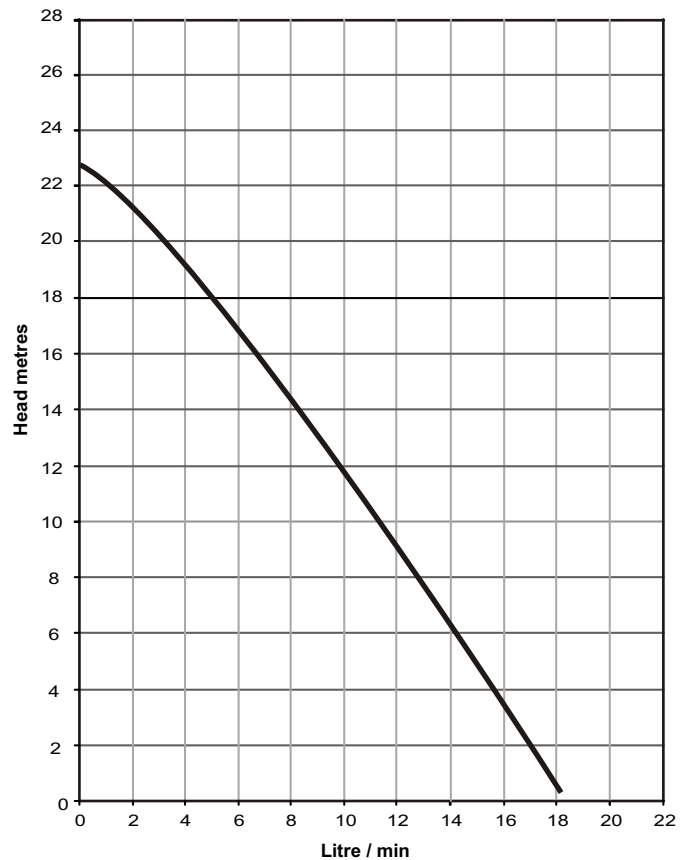
Details may change depending upon the motor specified

PARTS LIST



| ITEM | DESCRIPTION | NOS | CODE |
|------|-----------------------------------|-----|--------------|
| 1 | M5 x 90 Pozi Pan Screw St Stl Set | 6 | 5020-213-50 |
| 2 | MSP Front Cover PP JG | 1 | 5020-110-01 |
| | MSP Front Cover PP 1/2" NPTM | 1 | 5020-111-01 |
| | MSP Front Cover PP 3/4" BSPM | 1 | 5020-112-01 |
| 3 | Washer Thrust Ceramic | 1 | 0130-028-UK |
| 4 | O Ring Id 87, 3mm C/Sec Nitrile | 4 | 5020-122-30 |
| 5 | Impeller PPS | 4 | 5021-130-08N |
| 6 | Stage Housing | 3 | 5020-150-01 |
| 7 | Backing Plate | 3 | 5020-160-13 |
| 9 | Impeller magnet PPS | 1 | 5021-191-08 |
| 8 | Spindle St Stl 114mm | 1 | 5021-233-51 |
| 10 | MSP Pump Housing PP JG | 1 | 5020-140-01 |
| | MSP Pump Housing PP 1/2"NPTM | 1 | 5020-141-01 |
| | MSP Pump Housing PP 3/4"BSPM | 1 | 5020-142-01 |
| 11 | Full Nut M5 St Stl Set | 6 | 5021-180-50 |
| 14 | Drive Magnet | 1 | 5021-204-56 |
| 12 | Screw M5 x 12 Pozi Pan St Stl Set | 4 | 5021-2212-50 |
| 13 | Washer M5 Shakeproof St Stl Set | 4 | 0135-200-UK |
| 15 | MSP Bracket PP | 1 | 5020-170-01 |

PERFORMANCE



Tests obtained with water 1.0 SG

— 60 hz 3400 rpm
— 50 hz 2900 rpm